



SPARE PARTS FINDER

KLEMANTIS AS1000 RGBW W DMX

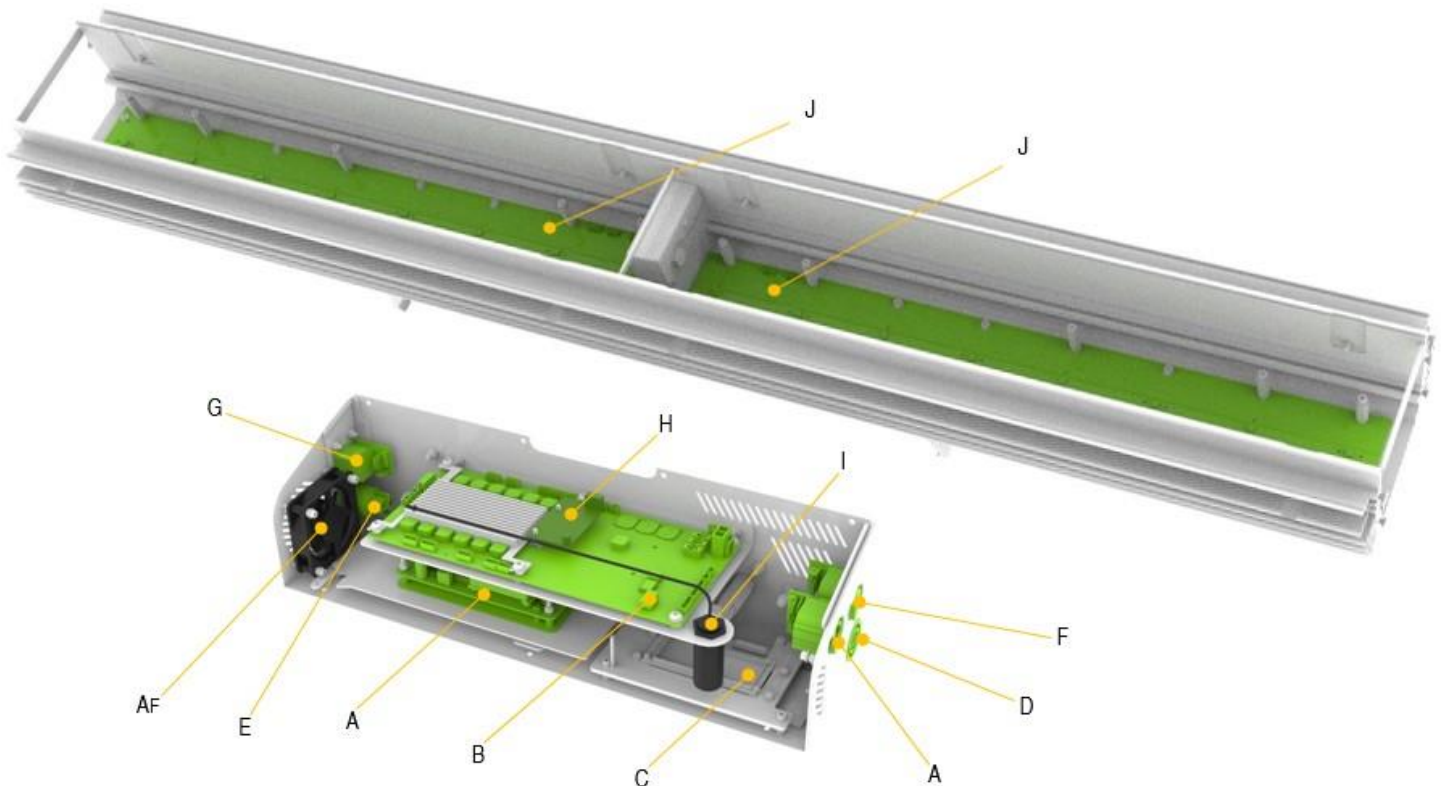
This document contents help finding the spare parts numbers more frequently needed and includes useful information on them.

INDEX

1.ELECTRONIC BOARDS, SENSORS AND FANS.....	2
2.LABELS.....	3
3.WIRINGS.....	4
4.SPARE PARTS LIST.....	6

1. ELECTRONIC BOARDS, SENSORS AND FANS

REF. N°	PART NUMBER	Q.TY	DESCRIPTION
A	ALI02U	1	Power Supply
B	SCH0DC	1	Main PCB
C	SCH0DD	1	Display PCB
D	SCH0DB	1	Signal PCB
E	CON04N	1	Waterproof Network Socket
F	CON04P/801	1	Waterproof Power Socket
G	CON04O	1	5-PIN DMX PCB
H	SCH04U	1	Wireless PCB
I	SCH04T	1	Antenna
J	SCH0DA	2	Led PCB
AF	VAC02S	1	DC Fan SUNON GF 80251 B3 000C AC9 (12V – 2,4 W <u>OUTLET</u> to Led PCB)

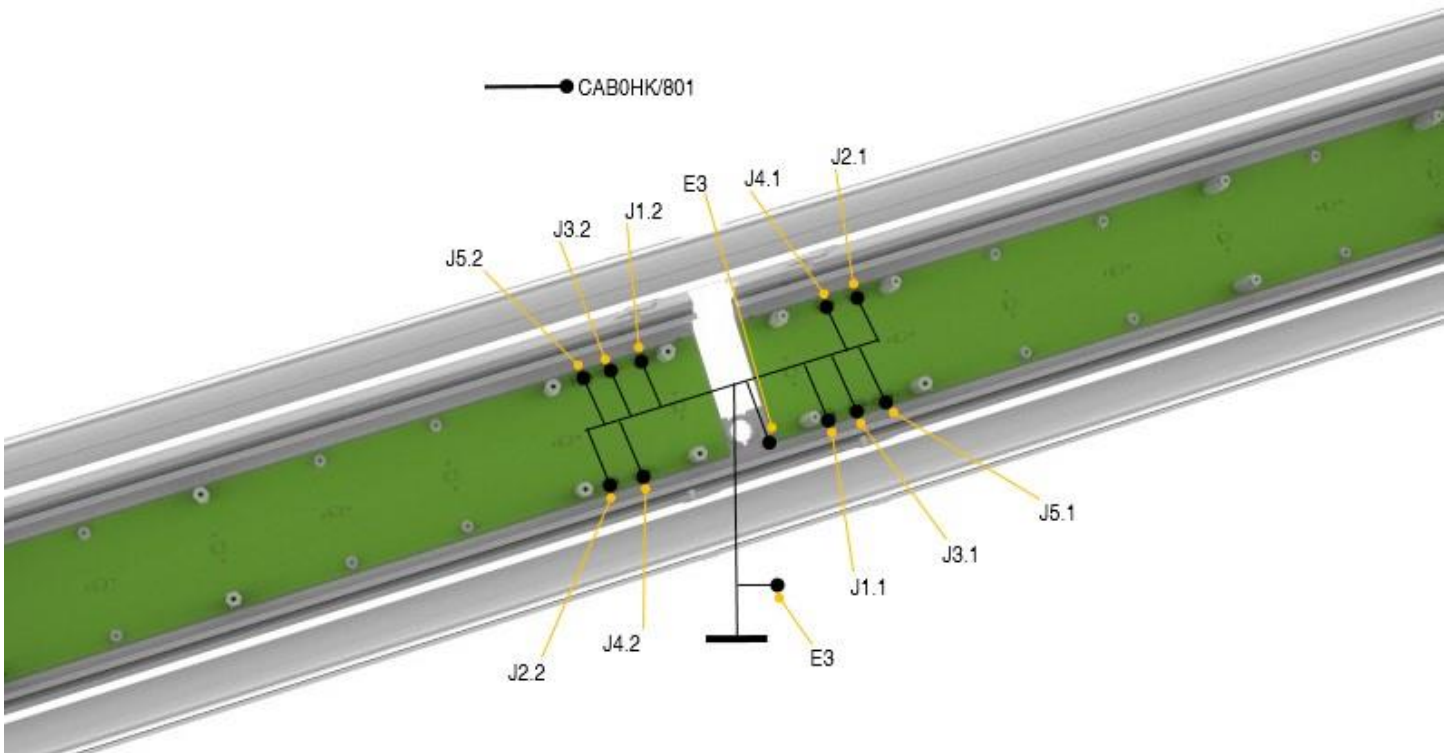


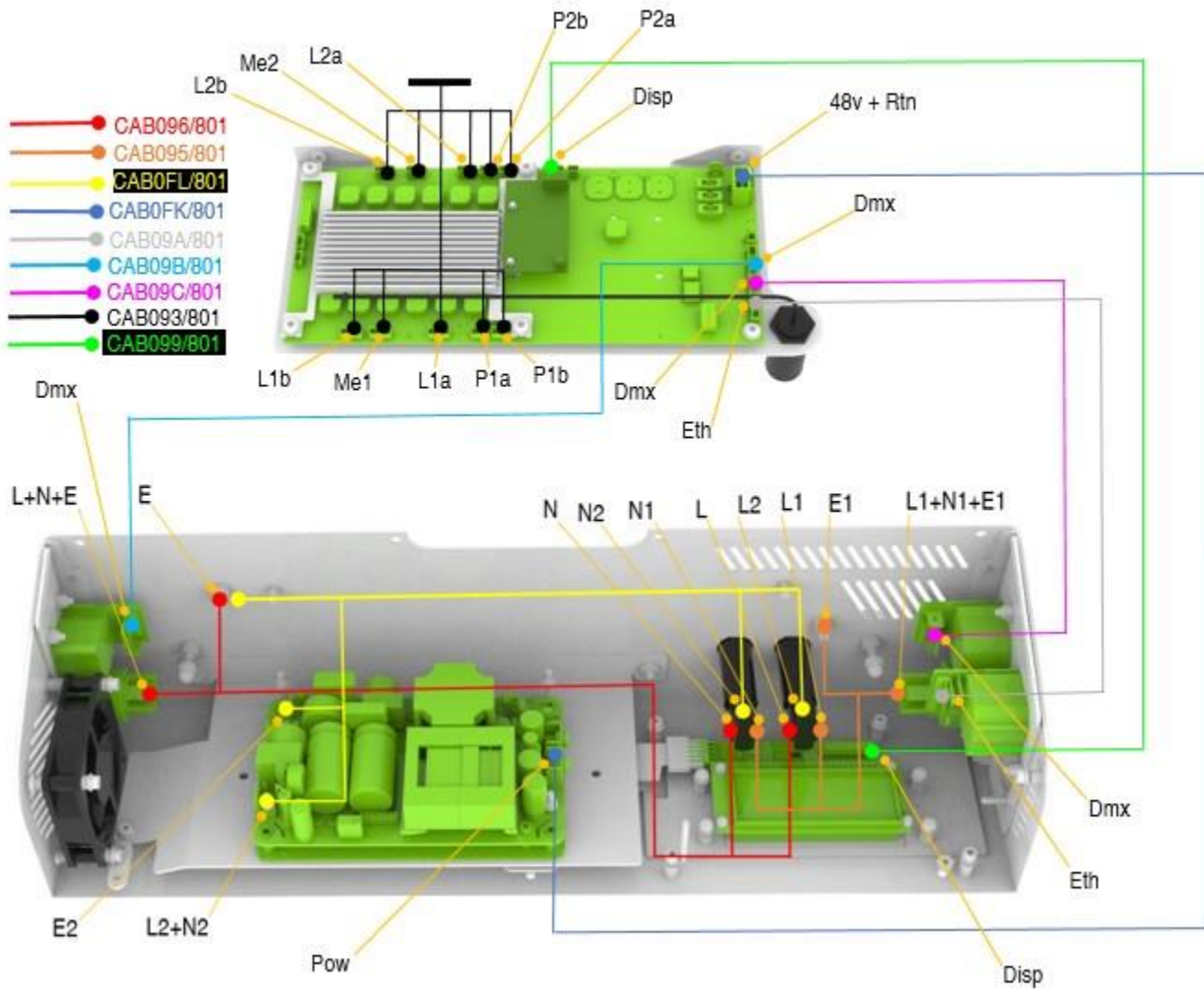
2. LABELS

PART NUMBER	Q.TY	PART NUMBER	Q.TY
ETI0DN/001 Power & Dmx Input	1	ETI0DK/001 Power / Ethernet & Dmx Output	1
ETI0DM/001 Serial Number	1	ETI037/001 Warning Risk 2	1
ETI00X/001 Etl Certificate	1	ETI084/001 Minimum Distance	1
ETI0D4/001 Warning	1	ETI0DL/001 Fixture Name	1

3. WIRINGS

PART NUMBER	DESCRIPTION
CAB0HK/801	Led D-Sub Head wirings
CAB093/801	Led D-Sub Base wirings
CAB09C/801	Dmx Out wirings
CAB09B/801	Dmx In wirings
CAB09A/801	Ethernet wirings
CAB0FK/801	PSU Dc Out wirings
CAB0FL/001	PSU Ac In wirings
CAB096/801	Power In wirings
CAB095/801	Power Out wirings
CAB099/801	Display wirings





4. SPARE PARTS LIST

PART NUMBER	Q.TY	DESCRIPTION
LEP00K/001	16	Lens
LEO00Y	16	ROD Led
VOL00A	2	Adjustable handle
TAS007/001	1	Keyboard