

KLEMANTIS AS500-AS1000



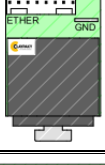
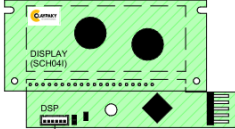

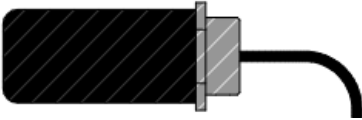
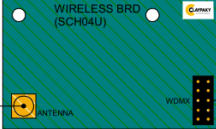


SPARE PARTS FINDER

This document contents help finding the spare parts numbers more frequently needed and includes useful information on them.

INDEX

ELECTRONIC BOARDS.....	2
WIRING HARNESSSES.....	3
FANS.....	3
PLASTICS.....	4
LABELS.....	5
SPARES PARTS LIST	6

ELECTRONIC BOARDS

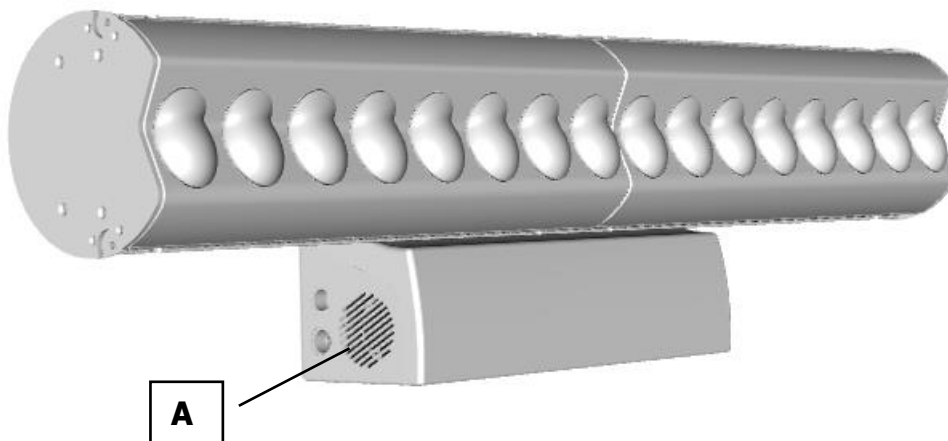
BOARD		Qty per fixture	Picture	Additional info
part number	Location			
SCH04N/001	Base	1		5-pole DMX board IN
SCH04N/002	Base	1		5-pole DMX board OUT
SCH04N/003	Base	1		Ethernet board
SCH04I	Base	1		Display interface board
SCH04L/002	Base	1		Driver 8 channel board
SCH04T	Base	1		Antenna Wireless solution
SCH04U	Base	1		Nano RX Wireless solution
SCH04M	Head	2 (1)		8 led 6 colors board
TAS007/001	Base	1		keyboard

WIRING HARNESSES

Part Number	Description	Qty per unit
CAB093/801	Led D-SUB wirings	1
CAB09D/801	W-DMX wirings	1
CAB088/801	Fan wirings	1
CAB094/801	Diver D-Sub wirings	1
CAB099/801	Display wirings	1
CAB095/801	Powercon OUT wirings	1
CAB096/801	Powercon IN wirings	1
CAB0FL/801	PSU wirings	1
CAB09A/801	Ethernet wirings	1
CAB09B/801	DMX-IN wirings	1
CAB09C/801	DMX-OUT wirings	1
CAB0FK/801	PSU DC-OUT wirings	1
CAV00F/001	USB wirings	1
CAV00L/001	USB wirings	1

FANS

N°	Part Number	Description	V	W	Air Flow	Q.ty	Position
1	321084/802	DC fan HA60151V4-1000U-A99	12	0.27	INLET to Power Supply	1	Base (A)



PLASTICS

MAL002

Handle



PLA04U/851

Rear cover



VOL00A

Lever



LABELS

ETI085/001

Klemantis AS1000

ETI088/001

KLEMANTIS AS1000

AL2001



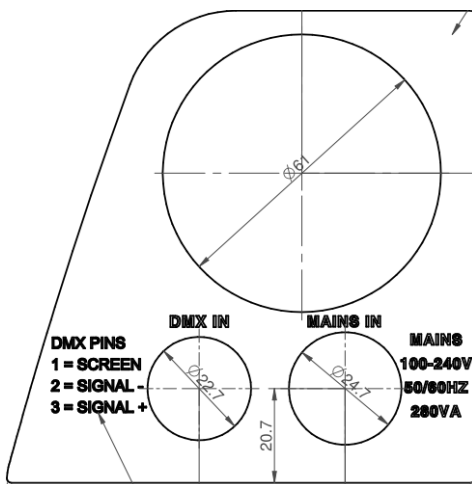
SN :



DISCONNECT POWER
BEFORE CHANGING FUSES
USE REPLACEMENT FUSES
RATED T 4A 250V

COUPER LE COURANT AVANT
DE CHANGER LES FUSIBLES
EMPLOYER DES FUSIBLES DE
RECHANGÉ T 4A 250V

ETI083/001



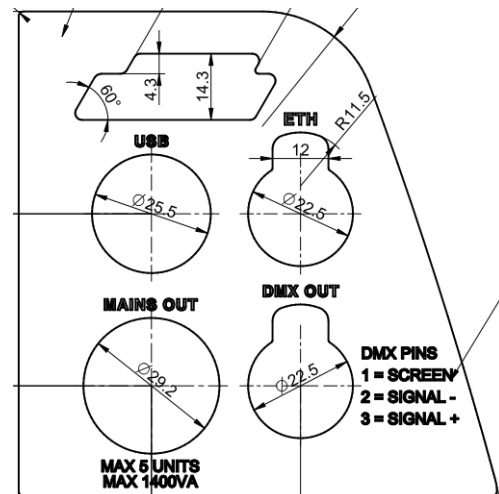
DMX PINS
1 = SCREEN
2 = SIGNAL -
3 = SIGNAL +

DMX IN

MAINS IN

MAINS
100-240V
50/60HZ
280VA

ETI082/001



USB

ETH

MAINS OUT

DMX OUT

DMX PINS
1 = SCREEN
2 = SIGNAL -
3 = SIGNAL +

MAX 6 UNITS
MAX 1400VA

ETI084/001

<p>40 °C</p> <p>0.2 m</p>	<p>WARNING MINIMUM DISTANCE OF INFLAMMABLE MATERIALS FROM THE SURFACE 0.20 m MAXIMUM TEMPERATURE OF THE EXTERNAL SURFACE 90 °C</p>	<p>ATTENTION LAISSER UNE DISTANCE D'AU MOINS 0.20 m ENTRE LA SOURCE LUMINEUSE ET TOUTE SURFACE COMBUSTIBLE TEMPERATURE MAXIMUM SURFACE EXTERNE 90 °C</p>
---------------------------	---	---

SPARES PARTS LIST

Part Number	Description	Quantity per fixture
ELECTRICAL & ELECTRONIC COMPONENTS		
ALI001	Power Supply	1
CON00N	INLET powercon neutrik connector	1
CON01P	OUTLET powercon neutrik connector	1
SCH04M	8 Led 6 Colors board AS1000	2
SCH05C	4 Led 6 Colors board AS500	2
SCH04N/001	DMX IN board	1
SCH04N/002	DMX OUT board	1
SCH04N/003	Ethernet board	1
SCH04I	Display board	1
TAS007/001	Keyboard	1
SCH04L/002	8 channels driver board	1
SCH04T	Antenna Wireless solution	1
SCH04U	RX Nano Wireless solution	1
EFFECTS		
LEP00K/001	Lens	16 (8)
LEO00Y	Rod	16 (8)
319033/001	Frost filter	2 (1)
FANS		
321084/802	DC fan HA60151V4-1000U-A99 INLET to Power Supply	1
MAINTENANCE		
FUS00B	Fuse 6.3x32 mm 4A-T	2
319030/001	Thermal pad	1
267073/001	Display protection	1