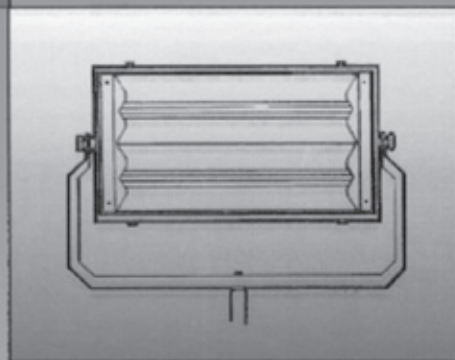
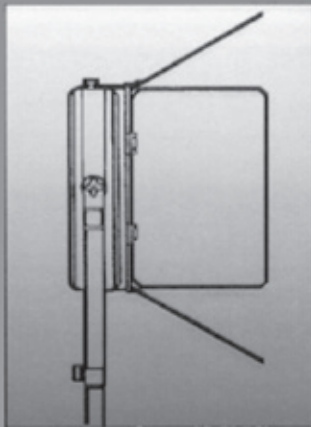


SOFTLUX

Cool Lights

Instruction Manual

ADB
Lighting Technologies



ADB
Lighting Technologies

SOFTLUX

Cool Lights

Table of Contents

| | |
|---|----|
| Advice before Use | 4 |
| General Remarks | 4 |
| 1 Setting Up Before Use (All Types) | 5 |
| 1.1 Power Cable | 5 |
| 1.2 Fitting Lamps | 5 |
| 2 Accessories (All Types) | 6 |
| 2.1 Barndoors | 6 |
| 2.2 Honeycomb Focus Mesh | 6 |
| 2.3 Polycarbonate Lamp Guard and Colour Frame | 6 |
| 2.4 Pole Operated Yoke | 6 |
| 3 Lamp Replacement | 7 |
| 4 Fuse Replacement | 7 |
| 5 Specifications | 8 |
| 5.1 DMX Versions and DMX Settings | 8 |
| 5.2 Phase Dimmed Versions (discontinued) | 8 |
| 6 Further Information | 9 |
| 7 The full range | 10 |
| 8 Recommended Spare Parts | 11 |
| 9 Photometric Data (typical values) | 12 |
| 10 EC declaration of conformity | 14 |

SOFTLUX

Cool Lights

Advice before Use

- Read carefully these instructions.
- As soon as the equipment is delivered, open the packing and inspect the equipment carefully. If you notice any damage, contact immediately the transport company and register your complaint in the required format listing the defects. You may be sure that this equipment left our factory in perfect condition.
- Check if the received equipment is consistent with the delivery notice and if this delivery notice is consistent with your order. If it is not, contact immediately your supplier.

General Remarks

This luminaire is a piece of lighting equipment designed for professional use only on stages, indoor television or film studios.

Designed and built in accordance with EN 60598-1 and EN 60598-2-17 safety regulations, it must imperatively be connected to electrical earth by means of its earth wire.

To prevent any electrical shock, there is no need to open this equipment when in use.

If internal access is needed for control, service or repair purposes, always refer to qualified personnel. In all events, always unplug the power supply cable before opening the unit,

LETHAL VOLTAGE PRESENT INSIDE

It is the user's responsibility to use the luminaire for its intended purpose and to check the equipment that might be connected to it.

The luminaire can under no circumstances be modified.

ADB will not assume any responsibility in case of damage resulting from modifications made to the luminaire.

This luminaire is a piece of professional equipment designed for easy and simple use. Nevertheless, always refer to qualified personnel for any installation or repair work.

Important Remark

Power supply cables and other connections are essential for your equipment and contribute greatly to a safe and trouble free operation.

- Always hold the cover of the plug when disconnecting a cable, never pull the cable.
- Never use cables or connectors in bad condition, check them before installation and periodically thereafter.
- Never tie power supply and data cables together.

Important instructions for use

Always keep these instructions close to where the unit is being used.



1. Set Up Before Use

1.1 Electrical Connection

The luminaire is suitable for operation on standard 50 Hz, 230 V to 250 V star type electrical supplies with Phase, Neutral and Earth connections. It is delivered with a cable HO7-RNF 3 x 1.5 mm² 2 m length, equipped with a EEC 22 at the luminaire site.

In use, take care to move away the cable from the hot parts of the luminaire.

Use **IMPERATIVELY** this cable with your luminaire.

For your own safety, make sure the earth wire (yellow-green) is ALWAYS connected to earth.

With a 13 Amp plugtop a 3 Amp HRC BS1362 fuse should be fitted in the plugtop. Fuses of a higher rating will not provide the correct degree of cable or instrument protection.

For other countries customers may fit their own plug tops, please follow the wiring code listed below:

| | |
|---------------------|------------------|
| Brown | Live Supply. |
| Blue | Neutral Supply |
| Green/Yellow | Earth Connection |

1.2 Fitting Lamps

Prior to using the luminaire the correct fluorescent tubes should be inserted into the luminaire.

ALWAYS ISOLATE FROM THE MAINS SUPPLY BEFORE ATTEMPTING TO FIT LAMPS.

Unpack the lamps from their cartons, **first** insert the lamp into the retaining clips, **then** gently push the lamp into the G11 lampholder. The units are designed to enable them to be moved around with the lamps fitted, always providing care is taken when moving them. Transport cases are available for ENG and rental applications.

SOFTLUX

Cool Lights

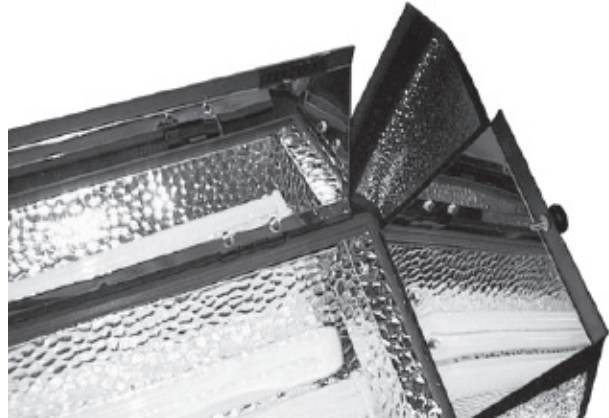
2. Accessories

2.1 Barndoors

Barndoors have friction adjustment on all hinges. If necessary these can be adjusted by tightening or loosening the cross-headed screw in the centre of each hinge. These may require tightening after continuous use.

When folding up the barn doors it is important to fold in the **end barndoors first**, as this protects the barndoor paint-work from damage.

Fabric corner reflectors are supplied with the unit, and are fitted using the Velcro strips. When fitted, the corner reflectors can increase the light output by ensuring that the barndoor reflectors are at the optimum angle for the tightest beam, when all barndoors are set at approximately the same angle, and the fabric corners are pulled tight. The corners will also restrict light spill while allowing some adjustment to the barndoor angle if necessary.



When packing up a lighting head, the corner reflectors may remain attached to the top and bottom barndoors and will tuck under the ends of the barndoor as it is folded up.

Accessories can be fitted to the front of the barndoors using the Velcro tabs on the top and bottom barndoors, and the thumbscrews on the end barndoors.

To achieve maximum reflection from the mirror barndoors we recommend that they are wiped clean of dust with a very soft cloth periodically.

2.2 Honeycomb Focus Mesh

To fit a Focus Mesh, first align and attach the Velcro tabs to the top and bottom barndoors, then align the thumbscrews and screw into either end of the Focus Mesh panel. These thumbscrews are a safety feature, and should always be used to ensure that Focus Mesh panels and other accessories can not become detached accidentally.

The standard mesh beam angles provided are 20, 40 and 60 degrees.

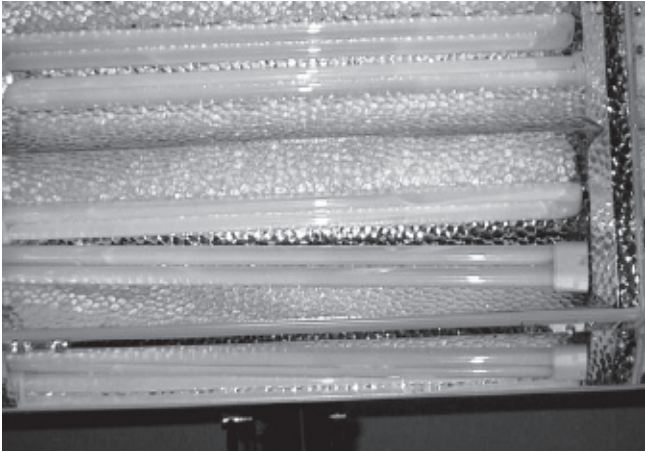
2.3 Polycarbonate Lamp Guard and Colour Frame

This unit screws into the front face of the Softlux and provides a clear plastic protective cover for the fluorescent tubes. This unit is recommended in studios where pole operated units are in use as poles sometimes slip and could go straight into the tubes. In addition a slot is provided into which coloured gel may be added to provide a coloured wash of light for cloths or set pieces.

2.4 Pole Operated Yoke (OPTION)

This item is normally fitted at the time of manufacture, in exceptional circumstances it may be retrofitted. A separate set of instructions are provided should this be required.

Looking from the rear of the unit you will see a white cup on the left side and a blue cup on the right side. The white cup controls the tilt angle and the blue cup the pan. These may be user adjusted as required. When they reach the end of their travel do not attempt to travel further as this may damage the gearboxes fitted. These gearboxes are sealed units and require no periodic maintenance.



3. Lamp Replacement

IMPORTANT

ALWAYS ISOLATE FROM THE MAINS SUPPLY BEFORE COMMENCING LAMP REPLACEMENT.

Important Note

If the unit is switched on with a faulty lamp, or without one or more lamp in place, the internal ballast will shut down and then re-set after about 30 seconds.

The plastic lamp supports, which are fitted to the main reflector, are designed to prevent a lamp from unclipping while in use.

Damage may result if a lamp is removed from this support with the base of the lamp fitted into its end holder.

To remove a lamp, **leave the lamp fitted into the lamp support clip**, and using minimum force, pull the lamp from its end holder by sliding it through the lamp support clip. With the lamp base clear, the lamp can be easily taken off its support clip by rotating it slightly away from the centre of the reflector while at the same time pulling it out of the plastic support clip.

Reverse this procedure to fit a new lamp.

4. Fuse Replacement (All Types)

This luminaire is fitted with a mains protection fuse.

This is located in the IEC22 type power inlet located on the rear of the luminaire.

The fuse is housed in the rectangular panel on the lower edge of the socket.

This can be pulled out by inserting your finger nail under the clip and lifting the fuse holder towards you. The fuse holder is permanently attached to the power socket.

Slide the fuse out of the holder and replace with a 5 x 20 mm HRC 2 Amp - 250 V fuse.

Replacement fuses should only be fitted of the same type as that fitted at manufacture.

SOFTLUX

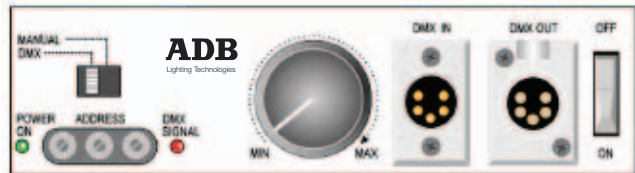
Cool Lights

5. Specifications

5.1 DMX Versions and DMX Settings

This version of the luminaire contains a single channel DMX512 decoder. Address setting switches are located in the bottom left hand corner of the back panel. Read the numeric sequence from left to right. i.e.

001 = DMX channel 1
012 = DMX channel 12
123 = DMX channel 123



- The red LED beside the address switches flashes to indicate that power is on.
- The green LED lights continuously to indicate the presence of a good DMX signal, flashes if the address has been set beyond 512, and will turn off after two seconds after the DMX data is lost (LK1 set to B).
- The default setting of the decoder is to set the output to minimum after two seconds, if data is lost.
- This can be modified by means of the internal jumper LK1:
 - set to A for 'maintain last level indefinitely'
 - set to B for 'maintain last level for 2 s'
- If the DMX address switches are set to 000 the green led light will turn on confirming that the decoder is operating correctly.

The DMX data should be connected to the male XLR5 connector. A female XLR5 connector is provided for a passively looped through connection to other units. This loop-through includes continuity of the second data link (pins 4 and 5). Each DMX input to a Softlux unit is optically isolated. The XLR connections are listed below :

| | |
|-------|-----------------------------------|
| Pin 1 | Cable Drain wire. |
| Pin 2 | DMX Data - |
| Pin 3 | DMX Data + |
| Pin 4 | Spare Data - (un-used on Softlux) |
| Pin 5 | Spare Data + (un-used on Softlux) |

All DMX versions are always provided with a potentiometer for local control (highest value takes precedence) allowing to set the light output when the DMX data stream fails or for ENG applications.

The DMX version includes a double pole - 2 way slider switch, one pole selects the relay control mode, the other the light level control mode. In the «DMX» position, the shut off relay is controlled by the DMX signal and switches at a level of $\pm 10\%$. In the «MANUAL» position, the shut off relay is permanently On and the internal dimming ballast is controlled by the potentiometer.

5.2 Phase Dimmed Versions (discontinued)

Phase versions may be dimmed using a good quality professional dimmer. The phase version is only available using 55 W tubes and ballasts. Connect the SOFTLUX to the output of the dimmer and dim the unit from zero to full as with a conventional luminaire. It is important to remember that one SOFTLUX unit with two lamps presents a load of 110 W across the dimmer. Some dimmers may find this load insufficient for the dimmer to operate correctly. If this occurs you may see the lamp remaining at full brightness or at a fixed level. To correct this problem an additional tungsten lamp may be required. Depending on the dimmer type a resistive load of a few watts up to at least 200 W may be required. Connect this in parallel with the SOFTLUX and the correct dimmed output should be available. Contact ADB or your nearest distributor if you continue to experience problems. It is recommended practice to have on a specific dimmed circuit only SOFTLUX luminaires of the same type i.e. the same number of fluorescent lamps per unit.

6. Further Information

The SOFTLUX range has been manufactured in accordance with CE marking regulations and is suitable for operation on standard 50 Hz, 230 V to 250 V star type electrical supplies with Phase, Neutral and Earth connections.

The product is compliant with the following standards:

- 72/23/EEC Low Voltage Directive.
- EEC CE Marking Directive.
- EN 60598-1 General Requirements and Tests.
- EN 60598-2-17 Special Requirements for Stage, TV, Film and Photographic Luminaires for Professional Applications.
- EN55014 EMC
- EN55013 EMC
- EN61000-2-4 EMC
- United States Institute of Theatre Technology DMX512/1990 Lighting Control Protocol.

The SOFTLUX range comprises of 2, 4 or 6 tube units in 55 watt versions (other versions on special request).

A comprehensive catalogue of further products is available together with a range of accessories and carrying cases for Studio and ENG applications.



SOFTLUX 440

SOFTLUX

Cool Lights

7. The full range consists of

| Description | Reference | ADB Code |
|---|-----------------|-------------|
| SOFTLUX Cool Lights - Manual operation | | |
| with 4-leaf reflective barndoor, 2 m cable, without lamps | | |
| SOFTLUX 110W - 2 x 55W - 230V DMX/Local Control | SL110/DMX/LC | 1075.00.080 |
| SOFTLUX 220W - 4 x 55W - 230V DMX/Local Control | SL220/DMX/LC | 1075.00.090 |
| SOFTLUX 330W - 6 x 55W - 230V DMX/Local Control | SL330/DMX/LC | 1075.00.100 |
| SOFTLUX 440W - 8 x 55W - 230V DMX/Local Control | SL440/DMX/LC | 1075.00.105 |
| SOFTLUX Cool Lights - Pole operation | | |
| with 4-leaf reflective barndoor, 2 m cable, without lamps | | |
| SOFTLUX 110W - 2 x 55W - 230V DMX/Local Control | SL110/DMX/LC/PO | 1075.01.080 |
| SOFTLUX 220W - 4 x 55W - 230V DMX/Local Control | SL220/DMX/LC/PO | 1075.01.090 |
| SOFTLUX 330W - 6 x 55W - 230V DMX/Local Control | SL330/DMX/LC/PO | 1075.01.100 |
| SOFTLUX 440W - 8 x 55W - 230V DMX/Local Control | SL440/DMX/LC/PO | 1075.01.105 |
| SOFTLUX Linear Space Lights | | |
| with 4-leaf black barndoor, 2 m cable, without lamps | | |
| SOFTLUX 2 x 110W in line - 4 x 55W - 230V DMX/Local Control | SLW220/DMX/LC | 1075.02.090 |
| SOFTLUX 4 x 110W in line - 8 x 55W - 230V DMX/Local Control | SLW440/DMX/LC | 1075.02.105 |
| Accessories | | |
| Integral safety grid and colour frame for SL110 | SL110/SGCF | 1075.00.188 |
| Integral safety grid and colour frame for SL220 | SL220/SGCF | 1075.00.198 |
| Integral safety grid and colour frame for SL330 | SL330/SGCF | 1075.00.208 |
| Integral safety grid and colour frame for SL440 | SL440/SGCF | 1075.00.408 |
| Integral safety grid and colour frame for SLW220 | SLW220/SGCF | |
| Integral safety grid and colour frame for SLW440 | SLW440/SGCF | |
| Swivel arm for SL110 and SL220, including mounting bracket | SWIVARM110/220 | |
| 20° Honeycombs for SL110 | SL110/H20 | 1075.00.182 |
| 40° Honeycombs for SL110 | SL110/H40 | 1075.00.184 |
| 60° Honeycombs for SL110 | SL110/H60 | 1075.00.186 |
| 20° Honeycombs for SL220 | SL220/H20 | 1075.00.192 |
| 40° Honeycombs for SL220 | SL220/H40 | 1075.00.194 |
| 60° Honeycombs for SL220 | SL220/H60 | 1075.00.196 |
| 20° Honeycombs for SL330 | SL330/H20 | 1075.00.202 |
| 40° Honeycombs for SL330 | SL330/H40 | 1075.00.204 |
| 60° Honeycombs for SL330 | SL330/H60 | 1075.00.206 |
| 20° Honeycombs for SL440 | SL440/H20 | 1075.00.402 |
| 40° Honeycombs for SL440 | SL440/H40 | 1075.00.404 |
| 60° Honeycombs for SL440 | SL440/H60 | 1075.00.405 |
| 20° Honeycombs for SLW220 | SLW220/DMX/H20 | 1075.02.192 |
| 40° Honeycombs for SLW220 | SLW220/DMX/H40 | 1075.02.194 |
| 60° Honeycombs for SLW220 | SLW220/DMX/H60 | 1075.02.196 |
| 20° Honeycombs for SLW440 | SLW440/DMX/H20 | 1075.02.402 |
| 40° Honeycombs for SLW440 | SLW440/DMX/H40 | 1075.02.404 |
| 60° Honeycombs for SLW440 | SLW440/DMX/H60 | 1075.02.406 |
| 230 V Fluorescent Lamps | | |
| DULUX/L 55 W 3000 K 3000 lm | DULL/55W/930 | 2990.18.553 |
| DULUX/L 55 W 5400 K 3000 lm | DULL/55W/954 | 2990.18.554 |
| STUDIOLINE 55 W 3200 K 3800 lm | STUD/55W/32 | 2990.18.551 |
| STUDIOLINE 55 W 5600 K 3800 lm | STUD/55W/56 | 2990.18.550 |

Specific data sheet available on request

8. Recommended Spare Parts

| Description | Reference | ADB Code |
|--|-----------|-------------|
| 4-leaf reflector barndoor for SL110 | SL110/BR | 1075.00.180 |
| 4-leaf reflector barndoor for SL220 | SL220/BR | 1075.00.190 |
| 4-leaf reflector barndoor for SL330 | SL330/BR | 1075.00.200 |
| 4-leaf reflector barndoor for SL440 | SL440/BR | 1075.00.400 |
| 4-leaf black barndoor for SLW220 | SLW220/BR | 1075.02.190 |
| 4-leaf black barndoor for SLW440 | SLW440/BR | 1075.02.400 |
| Dimmable ballast for 55W lamp with DMX control | O/HF2/58 | 1075.00.220 |
| 2 m cable CEE22 socket & no plug | C.EUROPE | 30036 |
| Yoke reinforcement | | 37555 |
| Main reflector | | 37565 |
| DXM board | | 37701 |
| Lamp clip | | 37717 |
| Lampholder | | 37718 |
| Yoke handle | | 41821 |
| Reflector spring | | 41885 |

A periodical checking of the lamp clips is recommended (set of 12 lamp clips).

SOFTLUX

Cool Lights

9. Photometric Data (typical values)

SL 110/DMX/LC

- fitted with 2 fluorescent lamps PL55W

Dimensions (A x B x C) : 645 x 230 x 605 mm
 Net weight : 5 kg
 Packing volume : 0.027 m³

| Distance | Horizontal 84° Beam | Vertical 42° Beam | STUDIOLINE 3200K | DULUX/930 |
|----------|------------------------|----------------------|---------------------|-----------|
| m | m | m | Lux | Lux |
| 1 | 1.8 | 0.8 | 5600 | 5280 |
| 2 | 3.5 | 1.6 | 1400 | 1320 |
| 3 | 5.3 | 2.3 | 622 | 587 |
| 4 | 7.2 | 3.2 | 350 | 330 |
| 5 | 8.9 | 3.8 | 224 | 211 |
| 6 | 10.6 | 4.2 | 156 | 147 |

SL 220/DMX/LC

- fitted with 4 fluorescent lamps PL55W

Dimensions (A x B x C) : 645 x 380 x 605 mm
 Net weight : 7 kg
 Packing volume : 0.043 m³

| Distance | Horizontal 84° Beam | Vertical 52° Beam | STUDIOLINE 3200K | DULUX/930 |
|----------|------------------------|----------------------|---------------------|-----------|
| m | m | m | Lux | Lux |
| 1 | 1.8 | 1.0 | 9630 | 8100 |
| 2 | 3.5 | 2.0 | 2408 | 2025 |
| 3 | 5.5 | 2.9 | 1070 | 900 |
| 4 | 7.0 | 3.9 | 602 | 506 |
| 5 | 8.7 | 4.9 | 385 | 324 |
| 6 | 10.4 | 5.8 | 268 | 225 |
| 7 | 12.1 | 6.8 | 197 | 165 |

SL 330/DMX/LC

- fitted with 6 fluorescent lamps PL55W

Dimensions (A x B x C) : 645 x 530 x 605 mm
 Net weight : 9 kg
 Packing volume : 0.057 m³

| Distance | Horizontal 74° Beam | Vertical 60° Beam | STUDIOLINE 3200K | DULUX/930 |
|----------|------------------------|----------------------|---------------------|-----------|
| m | m | m | Lux | Lux |
| 1 | 1.5 | 1.2 | 13800 | 11730 |
| 2 | 3.0 | 2.3 | 3450 | 2933 |
| 3 | 4.5 | 3.5 | 1533 | 1303 |
| 4 | 6.0 | 4.7 | 863 | 733 |
| 5 | 7.5 | 5.8 | 552 | 469 |
| 6 | 9.0 | 7.0 | 383 | 326 |
| 7 | 10.5 | 8.1 | 282 | 239 |

SL 440/DMX/LC

- fitted with 8 fluorescent lamps PL55W

Dimensions (A x B x C) : 645 x 680 x 605 mm
 Net weight : 11 kg
 Packing volume : 0.072 m³

| Distance | Horizontal 74° Beam | Vertical 70° Beam | STUDIOLINE 3200K | DULUX/930 |
|----------|------------------------|----------------------|---------------------|-----------|
| m | m | m | Lux | Lux |
| 1 | 1.5 | 1.4 | 17310 | 14510 |
| 2 | 3.0 | 1.7 | 4328 | 3628 |
| 3 | 4.5 | 4.1 | 1923 | 1612 |
| 4 | 6.0 | 5.4 | 1082 | 907 |
| 5 | 7.5 | 6.8 | 692 | 580 |
| 6 | 9.0 | 8.4 | 481 | 403 |
| 7 | 10.5 | 10.1 | 353 | 296 |

Notes

10. EC declaration of conformity



EC DECLARATION OF CONFORMITY

(In compliance with : Annex I of the EMC Directive 89/336EEC
Annex III of the Low Voltage Directive 73/23/EEC)

The product, **SOFTLUX COOL LIGHTS**, has been designed, manufactured and inspected following the good practice rules and our internal procedures.

It has been type tested and found compliant to the following EU Harmonised Standards and/or specifications :

- | | |
|----------------------|--|
| EN 60598-1 | Luminaires Part 1 : General requirements and test |
| EN 60598-2-17 | Luminaires Part 1 : Particular requirements for stage lighting, television, film and photographic studios. |
| EN 55014 | Electromagnetic compatibility - Requirements for household appliances, electric tools and similar apparatus |
| EN 55013 | Sound and television broadcast receivers and associated equipment - Radio disturbance characteristics - Limits and methods of measurement |
| EN 61000-2-4 | Electromagnetic compatibility (EMC) - Part 2-4 : environment - Compatibility levels in industrial plants for low-frequency conducted disturbances |

Issued in St-QUENTIN - FRANCE

18 janvier 2005

ADB S.A.S
Z.I. de ROUVROY
02100 St-QUENTIN - FRANCE

A handwritten signature in black ink, appearing to read 'Etienne RAGOT', written over a horizontal line.

Etienne RAGOT
Quality Assurance Manager

SOFTLUX

Cool Lights



SOFTLUX

Cool Lights



ADB - Your Partner for Light

| | |
|----------------|--|
| Belgium | N.V. ADB-TTV Technologies S.A. (Group Headquarters) Leuvensesteenweg 585, B-1930 Zaventem Tel : +32.2.709.32.11, Fax : +32.2.709.32.80, E-Mail : adb@adblighting.com |
| France | ADB S.A.S. Sales Office: 92, Avenue Jean Jaurès F-92120 Montrouge Tel : +33.1.41.17.48.50, Fax : +33.1.42.53.54.76, E-Mail : adb.fr@adblighting.com Factory & Group Logistics Centre: Zone industrielle Rouvroy F-02100 Saint-Quentin Tel : +33.3.23.06.35.70, Fax : +33.3.23.67.66.56, E-Mail : adb.fr@adblighting.com |

www.adblighting.com

ADB
Lighting Technologies

Subject to modifications

M-4103-E-01r