

PWSB-1

Self Climbing Hoist with Pile-up Winding

Preliminary Data Sheet



Description

Motorized hoist, with embarked motor / gearbox assembly and control relays, with pile-up winding of suspension stainless steel band, intended for TV studios whenever safety and cost are the prime considerations.

Standard hoist body 2 m

Standard flat cable : - 3 circuits 5 kW + 1 circuit 3 kW
- 1 data DMX on XLR-5-F

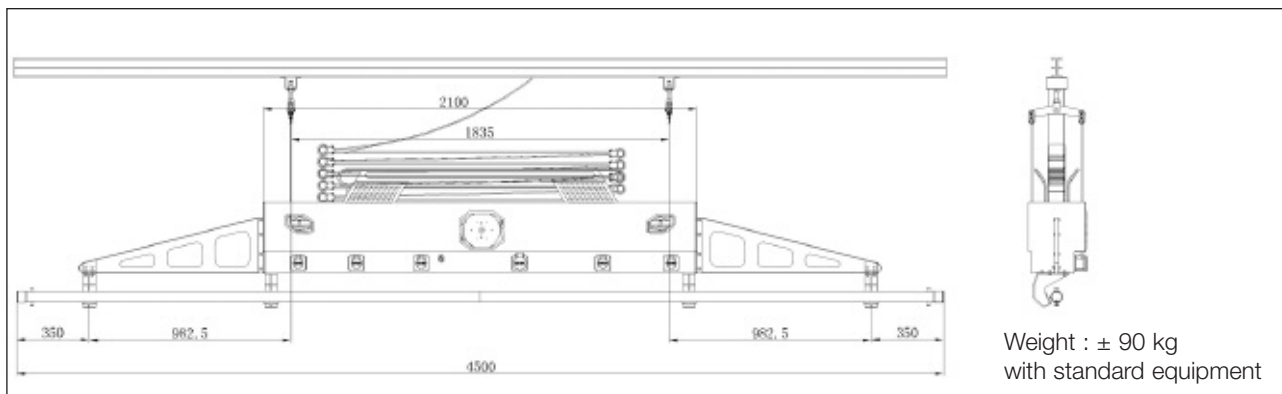
This hoist is equipped with a conventional no-load/overload system sensing on all 4 suspension lines. A hoist stopped on its way up or down can only be re-started in the opposite direction.

(*) Picture: long hoist on standard 2 m body



PWSB-1

Self Climbing Hoist with Pile-up Winding



Main Operating Features

- Maximum travel: 11 m
- Maximum load: 120 kg
- Travel speed: average 6 m / min
- High and low limit switches
- Overtravel limit switches
- Instant stop on obstacles / slack wire
- Instant stop in case of overload (1.2 x nominal load)

Housing

- Made of welded frame and sheet steel cover with non-reflective matt black finish.
- Built-in compact motor/gear box.
- 2 m standard body length.
- Ø 1.5" (48 mm) steel barrel for luminaire suspension. Any length between 2 and 3.2 m with 2 m long body (*).
- Power outlets for luminaires.
- 4 stainless steel bands 10 x 0.5 mm.
- Housing tray for supply cable.

Motor

- 230 V / 400 V, 4.4 - 2.5 A, ± 5%, 50 Hz - 0.75 kW
- Isolation class B (VDE 0530)
- Built-in thermal protection
- Irreversible rotation

Gear Box

- IP54 (DIN 40025)
- Dynamic and static irreversibility

(* special barrel length on request.

This equipment complies with all applicable European directives and carries a CE mark.

Supply Cable for Luminaire Circuits

- Flat cable (6 x 4 mm² + 4 mm² for 3 x 5 kW circuits)

Standard Power Outlets

- 3 CEE17 (32 A), other configurations upon request
- Connection terminals for motor supply, circuits and control

Remote Control

Simple push button control panel, either wall mounted or integrated into rolling console with flexible control cable, or hand-held remote control panel with visual display and bidirectional communication link (optional).

External Parts for Topmount

- 2 rope anchoring kit.
- Easy mounting under one IP or 2 parallel IP beams of 120 to 160 mm width

Option

- Preset position memorisation

Safety Standards

- DIN 15 560-46
- CE EN 292-2 CE 98/37 certification
- EN 61000-6-2 EMC
- EN 61000-6-4 EMC
- BVG C1 (option)
- DIN 56950 (option)

ADB - Your Partner for Light

Belgium N.V. ADB-TTV Technologies S.A.

(Group Headquarters) Leuvensesteenweg 585, B-1930 Zaventem
Tel : +32.2.709.32.11, Fax : +32.2.709.32.80, E-Mail : adb@adblighting.com

France ADB S.A.S.

Sales Office: 92, Avenue Jean Jaurès F-92120 Montrouge
Tel : +33.1.41.17.48.50, Fax : +33.1.42.53.54.76, E-Mail : adb.fr@adblighting.com

Factory & Group Logistics Centre: Zone industrielle Rouvroy F-02100 Saint-Quentin
Tel : +33.3.23.06.35.70, Fax : +33.3.23.67.66.56, E-Mail : adb.fr@adblighting.com

ADB
Lighting Technologies

DS-9083-E-06r Subject to modifications