

# PWS-2

## Self Climbing Hoist with Pile-up Winding and advanced I.S.S. Intelligent Safety System



### Description

Motorized hoist, with embarked motor / gearbox assembly and control relays, with pile-up winding of suspension ropes, intended for TV studios whenever maximum safety and operating flexibility are the prime considerations.

This hoist is equipped with I.S.S., ADB's proprietary Intelligent Safety System, which represents a unique approach to suspension safety and reliability in a TV studio. I.S.S. first measures the initial load (which becomes the reference load) automatically before any travel up or down, then monitors in real time any variation from this reference load, and eventually stops the hoist if the variation exceeds a certain value as determined by the sensitivity level manually selected by the operator.

A hoist stopped on its way up or down can only be re-started in the opposite direction.

A hoist set to low sensitivity, during rigging work for example, will automatically go back to high sensitivity after 10 min of no solicitation.

The load variation sensing works on all 4 suspension ropes, irrespective of the load distribution on the barrel.

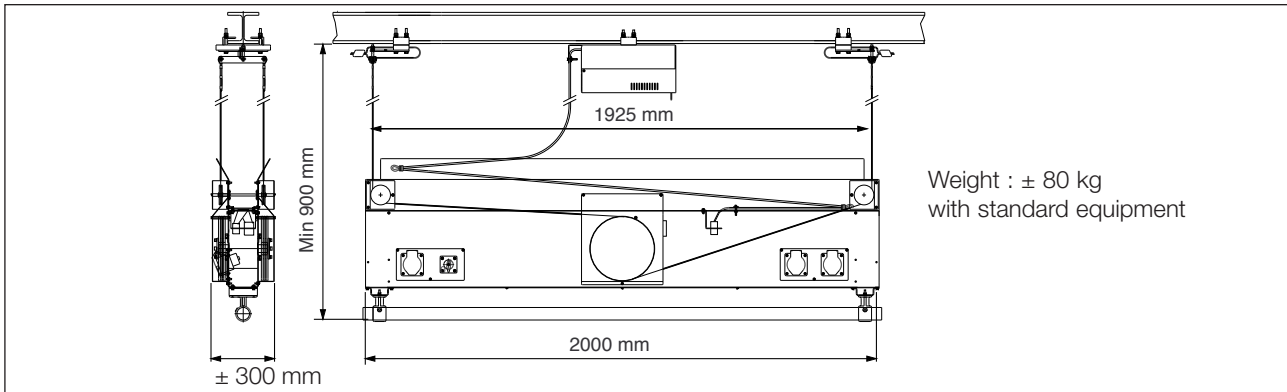
I.S.S. also counts the number of travels of the hoist and provides a maintenance warning signal in due time.

I.S.S. physically consists of 2 load sensing devices mounted onto the 2 rope anchoring plates, and one electronic control unit for mounting under the top fixing beam.



# PWS-2

## Self Climbing Hoist with Pile-up Winding and advanced I.S.S. Intelligent Safety System



### Main Operating Features

- Maximum travel: 11 m
- Maximum load: 120 kg
- Travel speed: 0.8 m /s (average)
- High and low limit switches
- Overtravel limit switches
- **I.S.S. Intelligent Safety System**
- Instant stop on obstacles
- Instant stop in case of accidental load variation
- Adjustable load variation sensitivity level
- Maintenance warning signal

### Housing

- Made of welded frame and sheet steel cover with non-reflective matt black finish
- Built-in compact motor/gear box
- Built-in ± 24 V DC / 250 mA control relays
- 2 m standard body length
- Ø 1.5" (38 mm) steel barrel for luminaire suspension. Any length between 2 and 3.2 m with 2 m long body
- Power outlets for luminaires
- 4 steel ropes (Ø 3 mm, U.T.S. 7250 N per rope)
- Housing tray for supply cable

### Motor

- 230 V / 400 V, 4.4 - 2.5 A, ± 5%, 50 Hz - 0.55 kW
- Isolation class B VDE 0530
- Built-in thermal protection
- Irreversible rotation

### Gear Box

- IP54 (DIN 40025)
- Dynamic and static irreversibility

### Supply Cable for Luminaire Circuits

- Flat cable (6 x 4 mm<sup>2</sup> + 4 mm<sup>2</sup> for 3 x 5 kW circuits)

### Standard Power Outlets

- 3 CEE17 (32 A), other configurations upon request

### Remote Control

Simple push button control panel, either wall mounted or integrated into rolling console with flexible control cable, or hand-held remote control panel with visual display and bidirectional communication link

- + 24 V DC for raising
- - 24 V DC for lowering
- 25 mA remote control current

### External Parts for Topmount

- 2 rope anchoring plates, each with load sensing device
- Supplementary anchoring safety cable
- Electronic control unit
- Easy mounting under one IP or 2 parallel IP beams of 120 to 160 mm width

### Options

- Infra-red remote control
- Preset position memorisation
- Soft start
- Special function monitoring panel with LED indicators

### Safety Standards

- DIN 15 560 - 46
- CE EN 292-2 CE 98/37 certification
- EN 61000-6-2 EMC
- EN 61000-6-4 EMC
- BVG C1 (option)
- DIN 56950 (option)

This equipment complies with all applicable European directives and carries a CE mark.

ADB - Your Partner for Light

Belgium

N.V. ADB-TTV Technologies S.A.

(Group Headquarters) Leuvensesteenweg 585, B-1930 Zaventem  
Tel : +32.2.709.32.11, Fax : +32.2.709.32.80, E-Mail : adb@adblighting.com

France

ADB S.A.S.

**Sales Office:** 92, Avenue Jean Jaurès F-92120 Montrouge  
Tel : +33.1.41.17.48.50, Fax : +33.1.42.53.54.76, E-Mail : adb.fr@adblighting.com

**Factory & Group Logistics Centre:** Zone industrielle Rouvroy F-02100 Saint-Quentin  
Tel : +33.3.23.06.35.70, Fax : +33.3.23.67.66.56, E-Mail : adb.fr@adblighting.com

**ADB**  
Lighting Technologies